

# Product Data Sheet

DS4xRLY 4 Channel Relay Output Module



## Introduction

The Hy4xRLY is a 4 channel relay output module, designed to interface with general purpose output loads such as contactors, blind controllers, heating controls and switched fluorescent (iron ballast) lighting. When used in conjunction with control plates from the Lucid range, a scene based lighting control system with infra-red capability can be constructed to suit installations both large and small. The control plates are connected to the dimmer using low voltage CAT5 style cable and data communication is supported by the Hy-Net protocol, which is a proven robust interface with an integral watchdog. The DS range of dimmers has the advantage of having individual DIP switches per channel, which dramatically reduces the need for laptop configuration.

## Technical Specifications

Supply	230vac 50/60Hz
Relays	4 x 10amp
NO or NC	DIP Switch Selection
Surge	100amp Inrush Relays
EMC	R-C Suppression
Cable Entries	4 x 20mm, 1 x 16mm
Low Voltage Out	5vdc 100mA
Control Input	Hy-Net Serial Data
DMX512	Available Option
Internal Controls	4 x Zone-Chan DIP Switch
Indicators	Power & Diagnostic LEDs
Operating Temp	0 – 40 degC Ambient
Enclosure	Powder Coated Steel
Dimensions	220 x 160 x 70 mm
LED Transformer	Remove R19,21,23,25

---

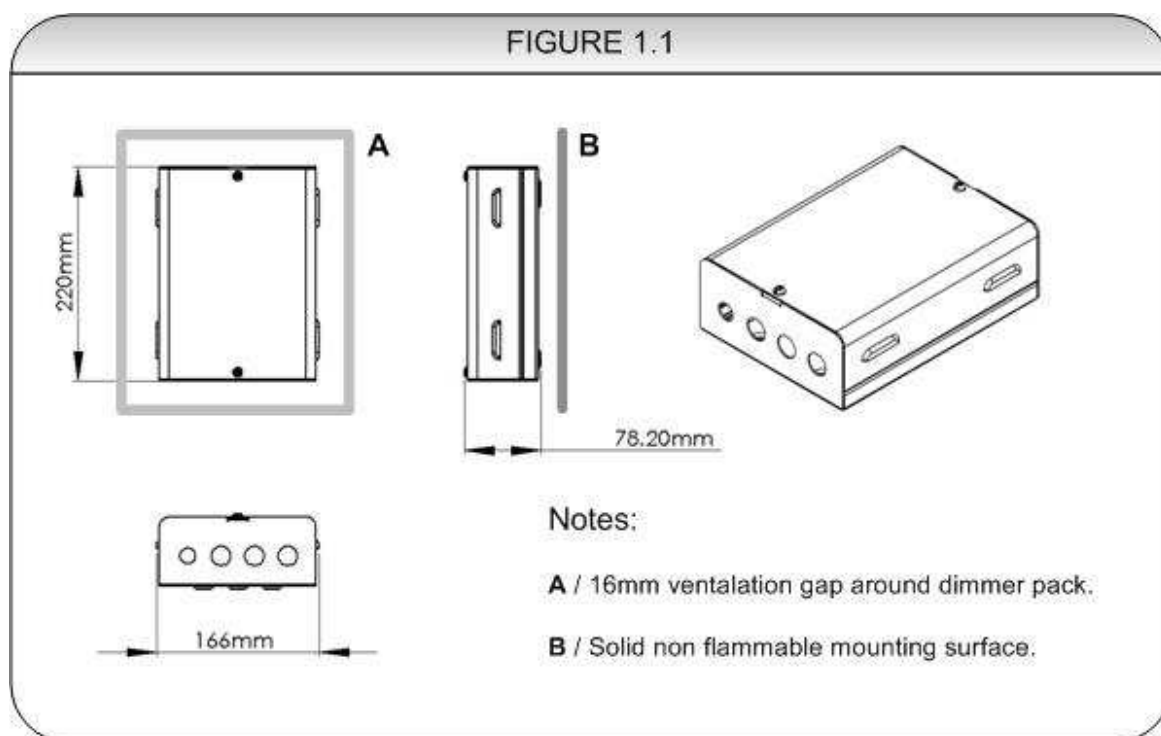
## Suitable Loads

Projection Screens, Garden Lights, HVAC etc
LED Transformers (see note on LEDs)

---

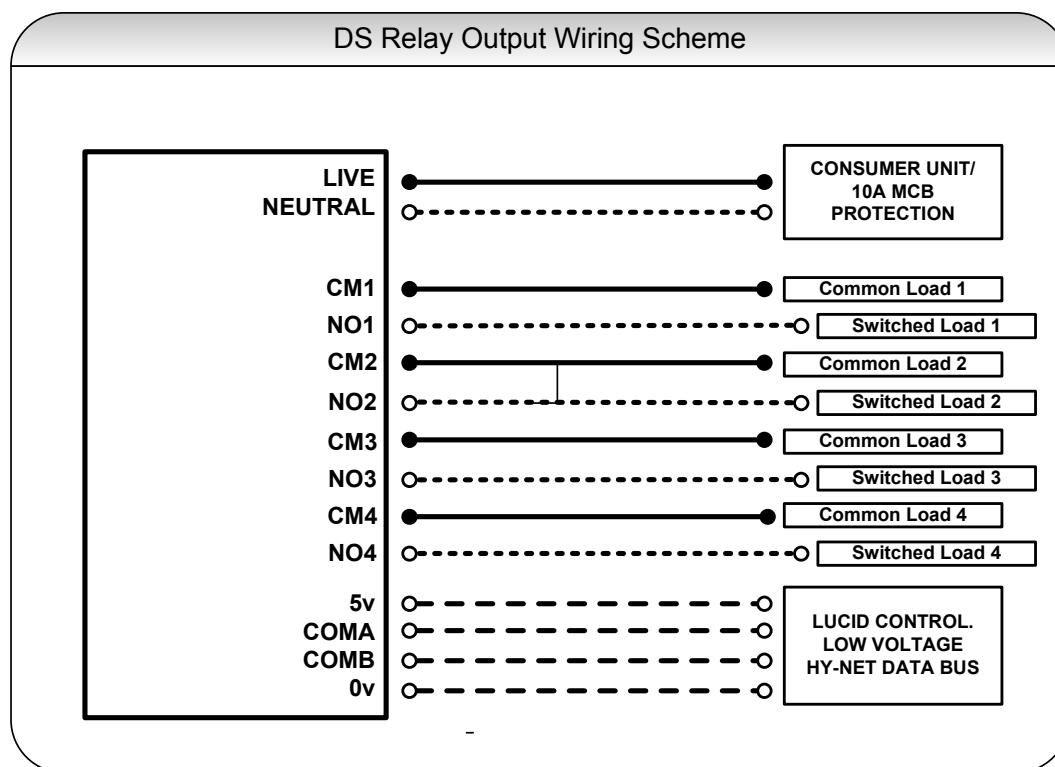
## Dimmer Installation

The dimmer pack is designed to be located upon a solid surface inside a domestic or commercial building as defined by local or national electrical-installation regulations. See Fig1.1., which details additional guidelines and overall dimensions.



## Wiring Diagram

Details of the terminals found on a 4 Channel Relay output Module (DS4xRLY).



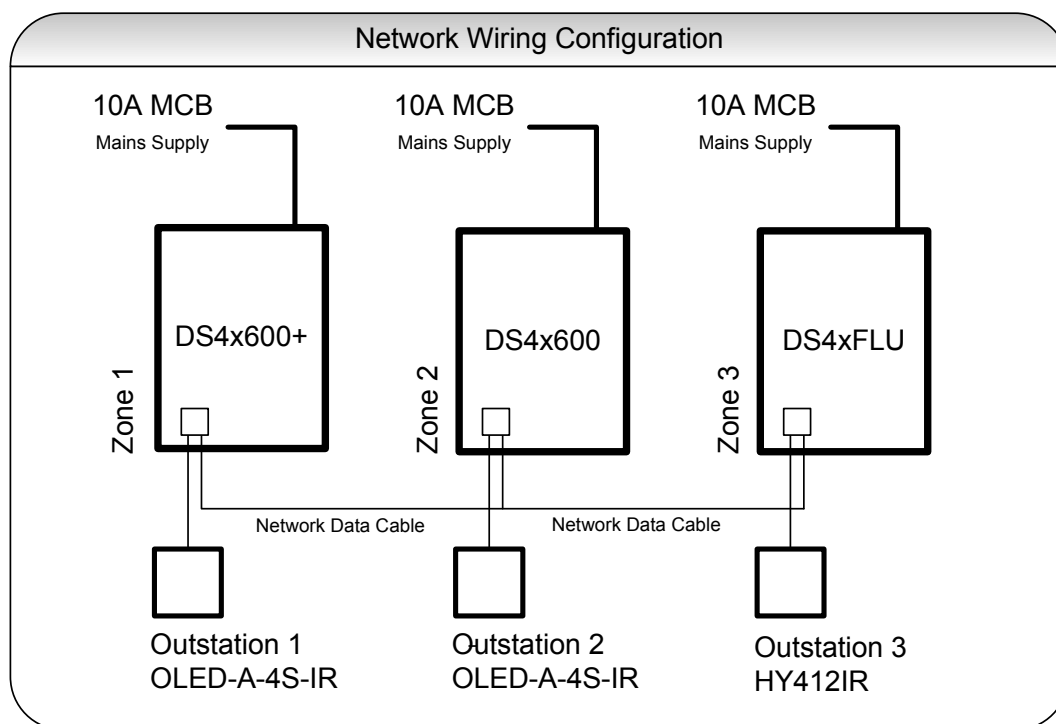
### Note: Controlling LED Transformers

The EMC components fitted to this module can cause LEDs to flicker 'ON' even when switched 'OFF'. To prevent this from happening, cut out (remove) components as follows:-

Channel 1	R19
Channel 2	R21
Channel 3	R23
Channel 4	R25

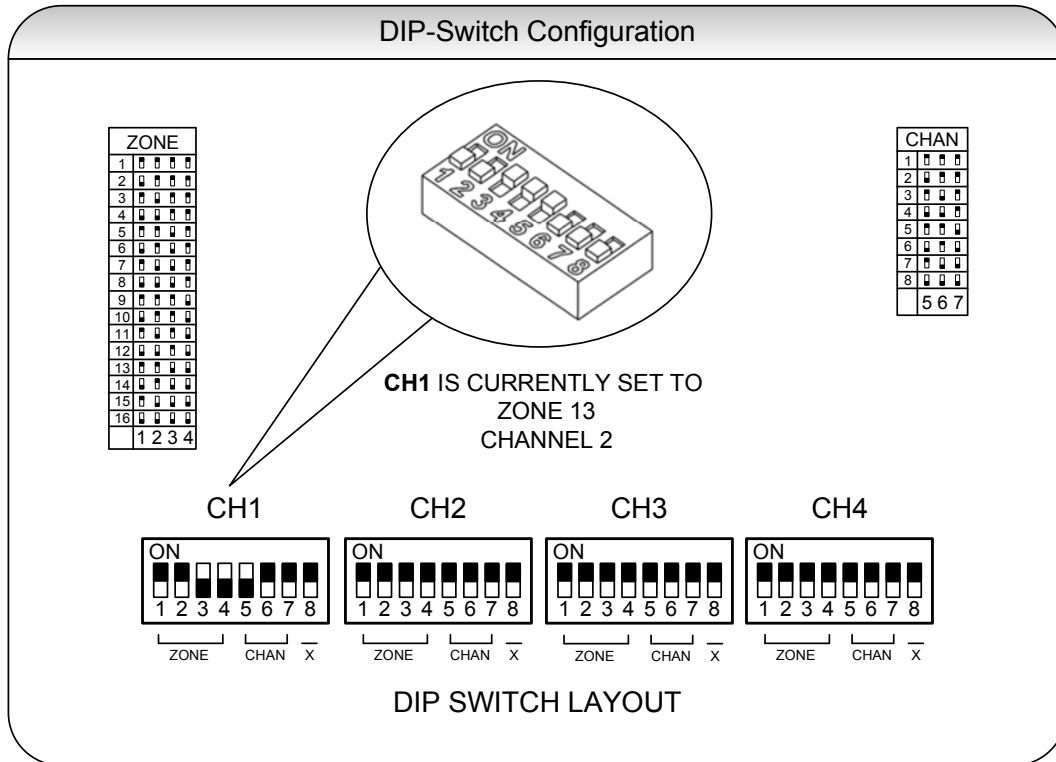
## Networking Dimmer Packs

Larger lighting installations can be created by networking many dimmer packs and control plates (outstations) together using CAT-5 data cable (see Lucid 110 Installation Guide).



## DIP Switch Configuration

Dipswitch settings provide 'zone' selection and 'channel' addressing to create a larger scene based lighting system when used alongside Lucid control plates.



www.lucid-lighting.com

LS Design (UK) Limited, 12 Ty Coch Way, Cwmbran, Gwent, NP44 7HB  
 T. 01633 877 997 E. lucid@ls-design.co.uk  
 E&OE